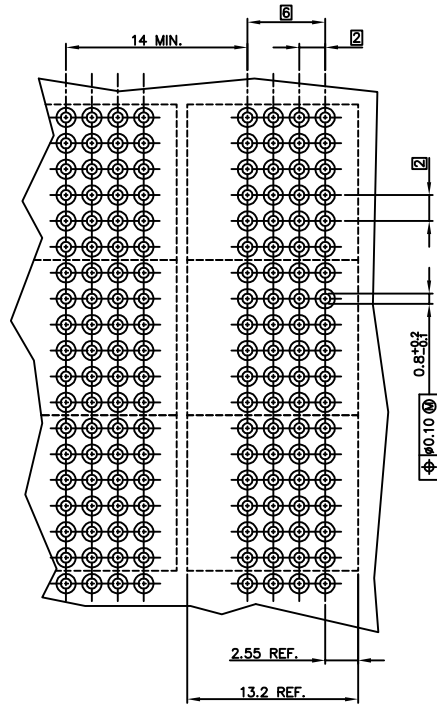
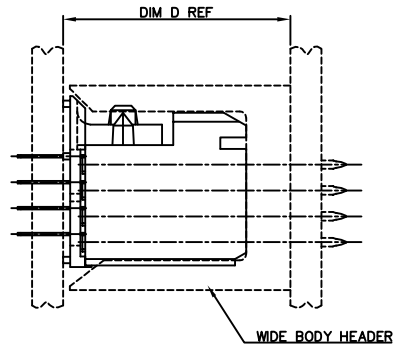
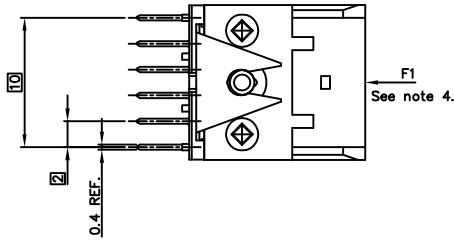
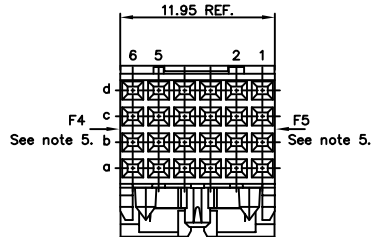
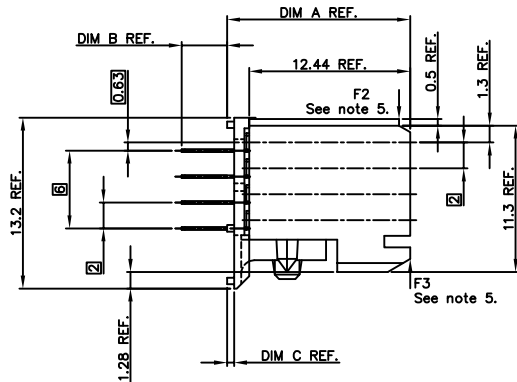


PRODUCT NR.
85922-XYZ
85922-XYZLF

PLATING CONTACT AREA:	
DASH NR:	PERFORMANCE LEVEL:
-1Y1/1Y1F	TELCORDIA CO
-2Y1/2Y1F	CUSTOMER SPECIAL
-3Y1/3Y1F	CUSTOMER SPECIAL
-9Y1/9Y1F	TELCORDIA CO



RECOMMENDED HOLE PATTERN,
COMPONENT SIDE.

DASH NR	CONFIGURATION					PCB THICKN.	DIM A	DIM B	DIM C	DIM D	
	ROW #	6	5	4	3						2
-X01	D	+	+	+	+	+	2.4	14.14	3.50	0.54	17.64
	C	+	+	+	+	+					
	B	+	+	+	+	+					
-X01LF	A	+	+	+	+	+	3.2	13.60	4.04	0.00	17.10
	D	+	+	+	+	+					
	C	+	+	+	+	+					
-X02	B	+	+	+	+	+	2.4	13.60	3.24	0.00	17.10
	A	+	+	+	+	+					
	D	+	+	+	+	+					
-X03	C	+	+	+	+	+	1.6	13.60	2.39	0.00	17.10
	B	+	+	+	+	+					
	A	+	+	+	+	+					
-X03LF	D	+	+	+	+	+	1.6	14.14	2.70	0.54	17.64
	C	+	+	+	+	+					
	B	+	+	+	+	+					
-X04	A	+	+	+	+	+	1.6	14.64	3.00	0.54	18.14
	D	+	+	+	+	+					
	C	+	+	+	+	+					
-X04LF	B	+	+	+	+	+	1.6	15.14	2.50	0.54	18.64
	A	+	+	+	+	+					
	D	+	+	+	+	+					
-X05	C	+	+	+	+	+	2.4	14.14	3.50	0.54	17.64
	B	+	+	+	+	+					
	A	+	+	+	+	+					
-X05LF	D	+	+	+	+	+	1.6	14.64	3.00	0.54	18.14
	C	+	+	+	+	+					
	B	+	+	+	+	+					
-X06	A	+	+	+	+	+	1.6	15.14	2.50	0.54	18.64
	D	+	+	+	+	+					
	C	+	+	+	+	+					
-X06LF	B	+	+	+	+	+	2.4	14.14	3.50	0.54	17.64
	A	+	+	+	+	+					
	D	+	+	+	+	+					
-X07	C	+	+	+	+	+	1.6	14.64	3.00	0.54	18.14
	B	+	+	+	+	+					
	A	+	+	+	+	+					
-X07LF	D	+	+	+	+	+	1.6	15.14	2.50	0.54	18.64
	C	+	+	+	+	+					
	B	+	+	+	+	+					
-X20	A	+	+	+	+	+	2.4	14.14	3.50	0.54	17.64
	D	+	+	+	+	+					
	C	+	+	+	+	+					
-X20LF	B	+	+	+	+	+	1.6	14.64	3.00	0.54	18.14
	A	+	+	+	+	+					
	D	+	+	+	+	+					

"-" POSITION NOT LOADED
"+" POSITION LOADED

NOTES:

- BODY MAT'L: LIQUID CRYSTAL POLYMER 30% GLASS
FLAME RETARDANT ACC. UL 94-V0
- TERMINAL MATERIAL: PHOSPHOR BRONZE.
- PLATING SOLDER TAILS 2-8 μm SnPb 90-97 OR 2-8 μm PURE FOR LF.
- LOAD IN THIS DIRECTION (E.G. THROUGH CODING) 30 NEWTON MAXIMUM PER CONNECTOR.
- LOAD IN THIS DIRECTION 15 NEWTON MAXIMUM PER CONNECTOR.
- TO ENSURE PROPER ALIGNMENT OF MULTIPLE MODULES ON A BOARD THE USE OF A FIXTURE IS RECOMMENDED.
- PRODUCT MARKING: PARTNUMBER & BATCH I.D.
- THIS PRODUCT MEETS EUROPEAN UNION DIRECTIVES AND OTHER COUNTRY REGULATIONS AS DESCRIBED IN GS-22-008
- THE HOUSING WILL WITHSTAND EXPOSURE TO 260 DEGREE PEAK TEMPERATURE FOR 10 SECONDS IN A WAVE SOLDER APPLICATION.

mat'l. code	tolerances unless otherwise specified	CUSTOMER COPY	PCB ELECTRONICS
lit. ctrl. no. & date		projection	www.telcordia.com
J 0008-0171 TER 8/10/08	linear	1st angle	
		mm	STR SIGN RCP
D 1172278 DDM 8720058 M. MEYER 880313		scale	STB + WAFER 12mm
E 1172282 LDE 8720064 M. MEYER 880313		ds:1	product family METRAL (cm) code
F 1180380 PHE 880818 Chr. P. SCHALK 880313		sheet	size dwg no. 213
G 1180380 GLL 080411 Lippert P. SCHALK 880313		index	sheet 1 of 1